

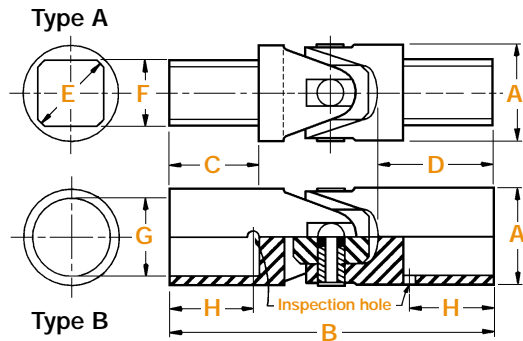
# Military Standard Universal Joints

Light-Duty



## MS 270 Series

■ Light-duty MS 270 military standard universal joints have undergone qualification testing and meet or exceed the requirements of Military Specification MIL-J-6193 and Standard Drawing MS20270.



MS 270 Series



Part Number		A		B		C		D		E		F		G		H		Weight Max	
		in	mm	in	mm	in	mm	in	mm	in	mm	in	mm	in	mm	in	mm	Lbs.	kg
Male Square	Bored Hub	+0.000, -0.002 (+0.000, -0.051) Diameter		+/-0.015 (+/-0.381) OAL		+0.031, -0.000 (+0.787, -0.000) Depth/Length		Min		+0.000, -0.005 (+0.000, -0.127) Square, A/C		+0.000, -0.001 (+0.000, -0.025) Square, A/F		+0.004, -0.001 (+0.102, -0.025) Bore Dia.		+/-0.015 (+/-0.381) Hole Loc.		(For 'B' Config.)	

### Dimensions

MS-20270-B6	MS-20270-B6	0.372	9.45	1.750	44.45	0.375	9.52	0.625	15.88					0.250	6.35	0.312	7.92	0.035	0.016
MS-20270-A8	MS-20270-B8	0.495	12.57	1.875	47.62	0.500	12.70	0.625	15.88	0.493	12.52	0.373	9.47	0.375	9.52	0.437	11.10	0.065	0.030
MS-20270-A10	MS-20270-B10	0.620	15.75	2.187	55.55	0.625	15.88	0.750	19.05	0.562	14.27	0.436	11.07	0.500	12.70	0.562	14.27	0.095	0.043
MS-20270-A12	MS-20270-B12	0.745	18.92	2.500	63.50	0.750	19.05	0.875	22.22	0.743	18.87	0.560	14.22	0.625	15.88	0.687	17.45	0.160	0.073
	MS-20270-B14	0.870	22.10	3.000	76.20	0.937	23.80	1.031	26.19					0.750	19.05	0.875	22.22	0.220	0.100
MS-20270-A16	MS-20270-B16	0.995	25.27	3.375	85.72	0.937	23.80	1.125	28.57	0.875	22.22	0.686	17.42	0.812	20.62	0.875	22.22	0.385	0.175
MS-20270-A20	MS-20270-B20	1.245	31.62	3.750	95.25	1.000	25.40	1.187	30.15	1.187	30.15	0.873	22.17	1.062	26.97	0.937	23.80	0.630	0.286
MS-20270-A24	MS-20270-B24	1.495	37.97	4.500	114.30	1.125	28.57	1.375	34.92	1.375	34.92	0.998	25.35	1.250	31.75	1.062	26.97	1.200	0.545

Part Number		Angle	Torsional play			Minimum Ultimate Static Torque				Axial Tension & Compression		Endurance Torque Tests		
Male Square Hub	Round Bored Hub		Test Torque		Maximum Degrees	Specifications		Apex Average		Lbs.-in	N	Operating Angle	Torque	
			Lbs.-in	N-m		Lbs.-in	N-m	Lbs.-in	N-m					
MS-20270-B6	MS-20270-B6	0	4	0.452	1.00	175	19.78	250	28.25	200	890	15°	26	2.94
MS-20270-A8	MS-20270-B8	0	4	0.452	0.80	250	28.25	480	54.24	200	890	15°	38	4.29
MS-20270-A10	MS-20270-B10	0	4	0.452	0.64	500	56.50	950	107.35	300	1,335	15°	75	8.48
MS-20270-A12	MS-20270-B12	0	4	0.452	0.53	1,000	113.00	1,600	180.80	400	1,779	15°	150	16.95
	MS-20270-B14	0	8	0.904	0.46	1,750	197.75	2,500	282.50	500	2,224	15°	262	29.61
MS-20270-A16	MS-20270-B16	0	8	0.904	0.40	2,500	282.50	4,500	508.50	600	2,669	15°	375	42.38
MS-20270-A20	MS-20270-B20	0	8	0.904	0.32	5,000	565.00	7,000	791.00	800	3,558	15°	750	84.75
MS-20270-A24	MS-20270-B24	0	8	0.904	0.27	7,500	847.50	11,500	1,299.50	1,100	4,893	15°	1,125	127.13

### Performance Specifications

MS-20270-B6	MS-20270-B6	0	4	0.452	1.00	175	19.78	250	28.25	200	890	15°	26	2.94
MS-20270-A8	MS-20270-B8	0	4	0.452	0.80	250	28.25	480	54.24	200	890	15°	38	4.29
MS-20270-A10	MS-20270-B10	0	4	0.452	0.64	500	56.50	950	107.35	300	1,335	15°	75	8.48
MS-20270-A12	MS-20270-B12	0	4	0.452	0.53	1,000	113.00	1,600	180.80	400	1,779	15°	150	16.95
	MS-20270-B14	0	8	0.904	0.46	1,750	197.75	2,500	282.50	500	2,224	15°	262	29.61
MS-20270-A16	MS-20270-B16	0	8	0.904	0.40	2,500	282.50	4,500	508.50	600	2,669	15°	375	42.38
MS-20270-A20	MS-20270-B20	0	8	0.904	0.32	5,000	565.00	7,000	791.00	800	3,558	15°	750	84.75
MS-20270-A24	MS-20270-B24	0	8	0.904	0.27	7,500	847.50	11,500	1,299.50	1,100	4,893	15°	1,125	127.13